

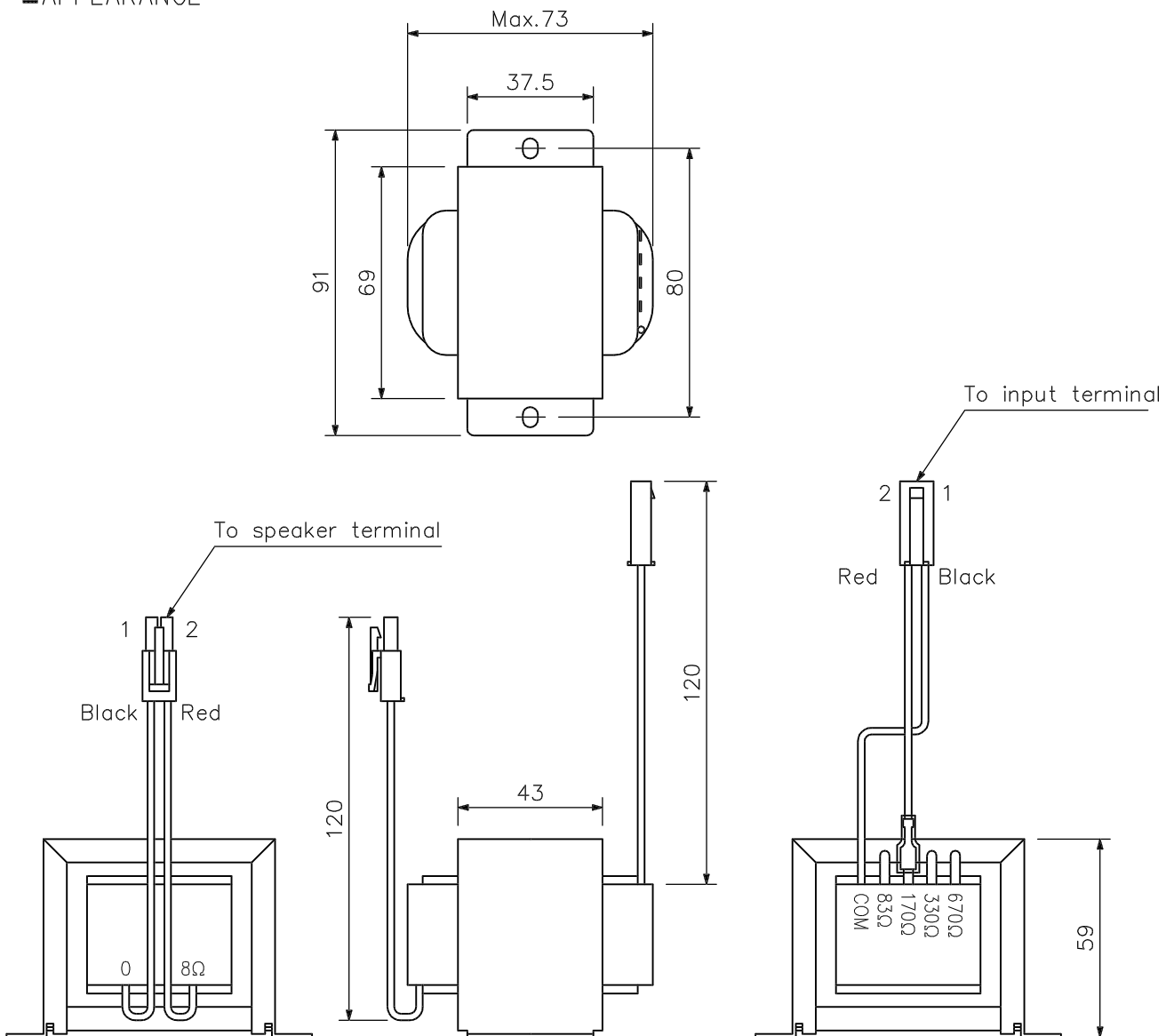
DESCRIPTION

The MT-S0601 is a matching transformer for the ES, T-550 and T-650 series speakers.

SPECIFICATIONS

Rated Input Power	60 W
Input Impedance	100 V line: 170 Ω (60 W), 330 Ω (30 W), 670 Ω (15 W) 70 V line: 83 Ω (60 W), 170 Ω (30 W), 330 Ω (15 W), 670 Ω (7.5 W)
Output Impedance	8 Ω
Weight	1.2 kg

APPEARANCE



UNIT:mm SCALE:1/2